

AutoFlo Model 200P Home Comfort Humidifier

*Responsible performance with homeowner
designed service simplicity.*



Exceptional, Economical 14 Gallon Per Day Performance.

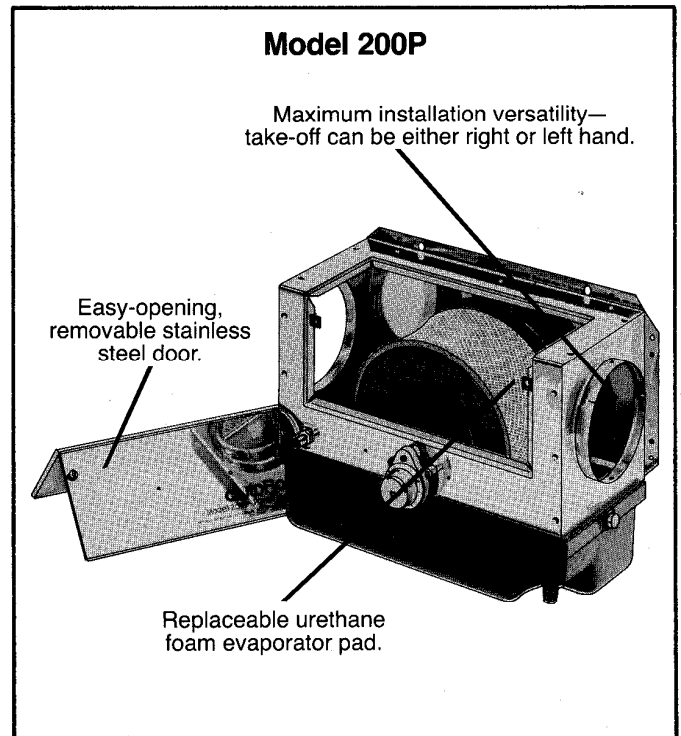
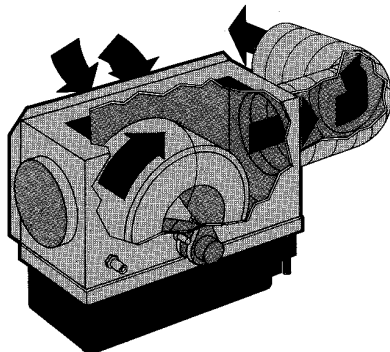
Ideal for medium size homes, the AutoFlo Model 200P can *outperform any comparable size power humidifier*. AutoFlo's patented "Convair-Cone" maximizes air flow through and around the evaporative media for increased capacity. Adjustable float control. Stainless steel construction resists corrosion. Easy-access openings make cleaning simple.



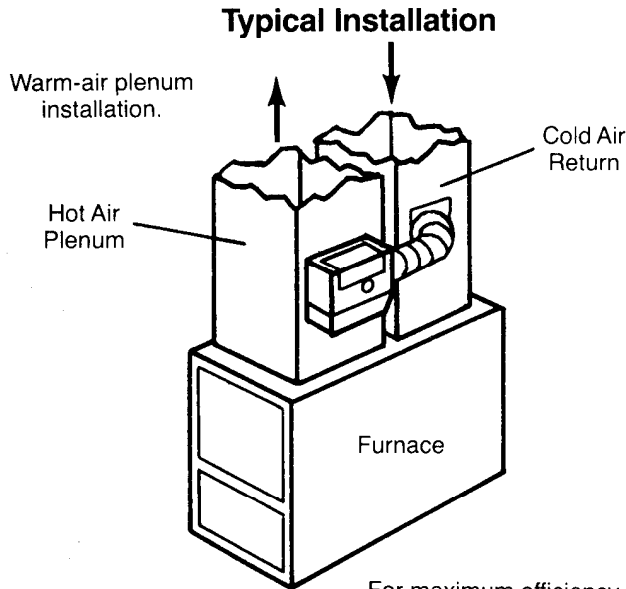
AutoFlo Humidifiers Work. Here's How.

Drum Type By-pass Humidifier.

Well designed and precision constructed of durable stainless steel, the plenum model is a by-pass unit, using motorized rotating evaporator pad for increased efficiency. By-passed air is passed through the evaporator pad where it is moisturized, and then returned to the furnace blower for circulation throughout the house.



With any forced air furnace, the AutoFlo Model 200P is all you need.



For maximum efficiency, unit must be mounted on **warm** air side.

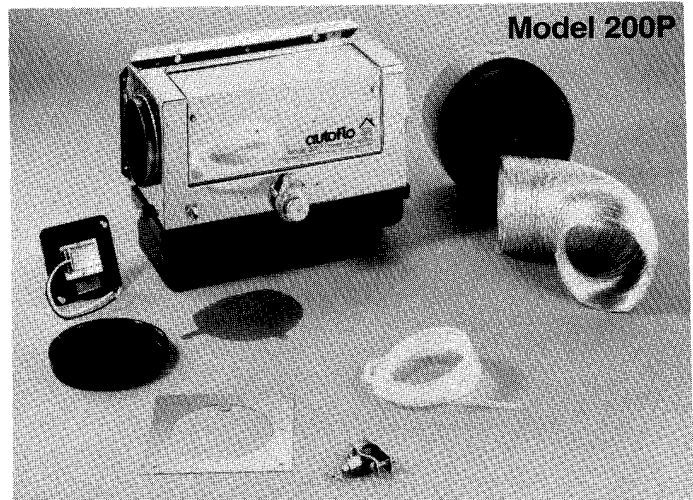
Specifications:

Electrical: 24 Volts AC, 60 cycles, 3 watts
 Plenum model: 16 in. wide, 11 in. high, 9 in. deep
 Plenum opening: 8" diameter half-circle
 Weight: plenum model—12 pounds
 Capacity: 14 gal. per day

Complete self-piercing water valve assembly and compression fittings
 . . . 24V motor and transformer . . .
 mounting hardware . . . installation instructions/mounting decals . . .
 flexible duct.

Model 200P Service Parts

PART NO.	DESCRIPTION
200EP	EVAPORATOR PAD
401972	COMPLETE FLOAT/ORIFICE ASSEMBLY
20025	WATER PAN
20028	MOTOR ASSEMBLY
27200	PAD HOLDER (MEDIA WHEEL)
010531	ORIFICE ASSY.



One-Year Limited Warranty

All parts of the AutoFlo® Humidifier are warranted to be free from defects in material and workmanship for a period of ONE (1) year from date of purchase as shown on purchaser's receipt.

AutoFlo will replace **free of charge**, during the normal warranty period any warranted part which proves defective in material and/or workmanship under normal installation, use and service. Replacement parts may be obtained by returning the part, **transportation charges prepaid**, to the Service Center. Any injury to this humidifier as a result of misuse, abuse, neglect, accident, improper installation, or any other use violative of instructions furnished by us, **will void the warranty**.

This warranty is limited to defective replacement parts only. Labor charges and/or damage incurred in installation or replacement, as well as incidental and consequential damages connected therewith, are excluded.

As some states do not allow the exclusion or limitation of incidental or consequential damages, the above limitation or exclusion may not apply to you.

This warranty gives you specific legal rights, and you may also have other rights which vary from state to state. In the event of a problem with warranty service or performance, you may be able to go to a small claims court, a state court, or a federal district court.