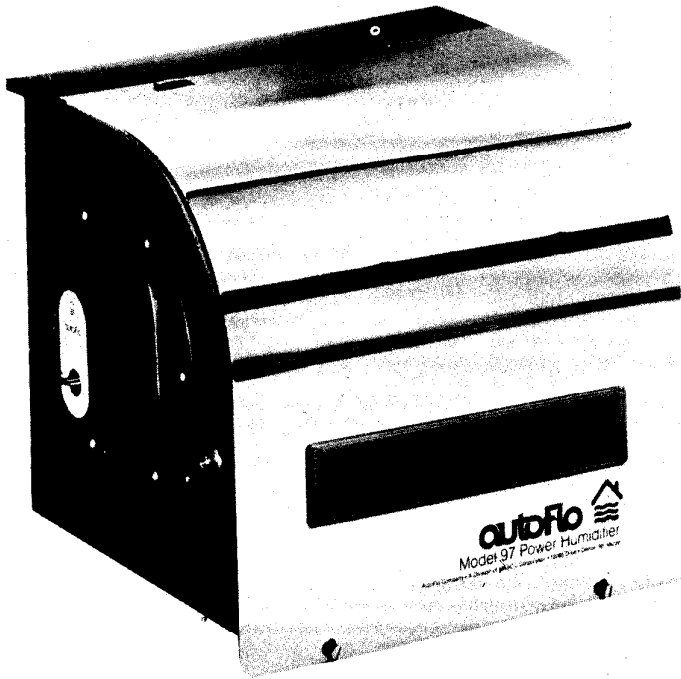


AutoFlo Model 97 Home Comfort Humidifier

Responsible performance with homeowner designed service simplicity.

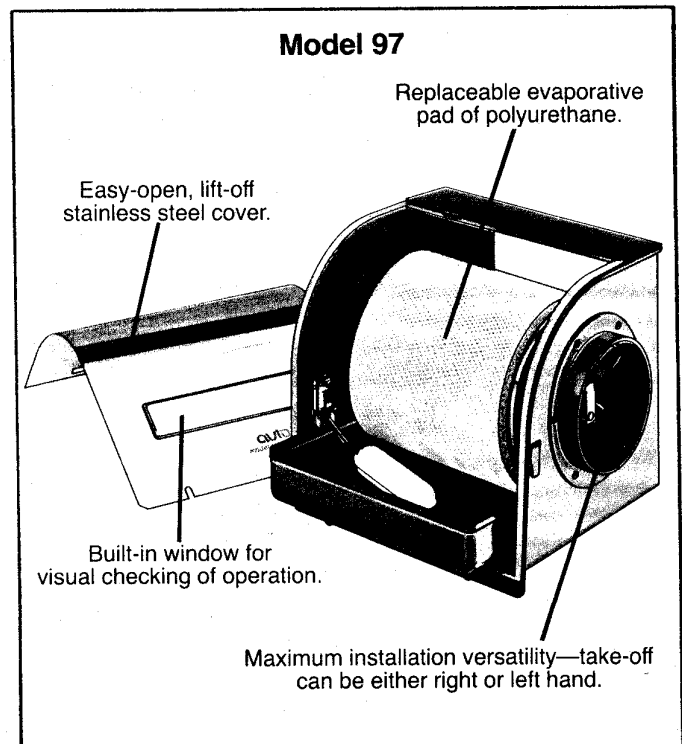
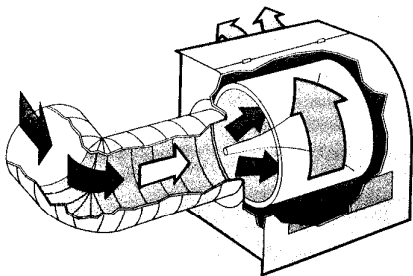


Maximum Output for Larger Homes.

A classic example of effective use of modern materials and technology, the AutoFlo 97 gives exceptional output for the very desirable cost of the unit. All components are readily accessible—the lift-off stainless steel cover, slide-out water reservoir and drop-in-place pad assembly makes maintenance easy. Adjustable float control. Cover of stainless steel and components of high-performance, corrosion-resistant material assure trouble-free performance and long life.

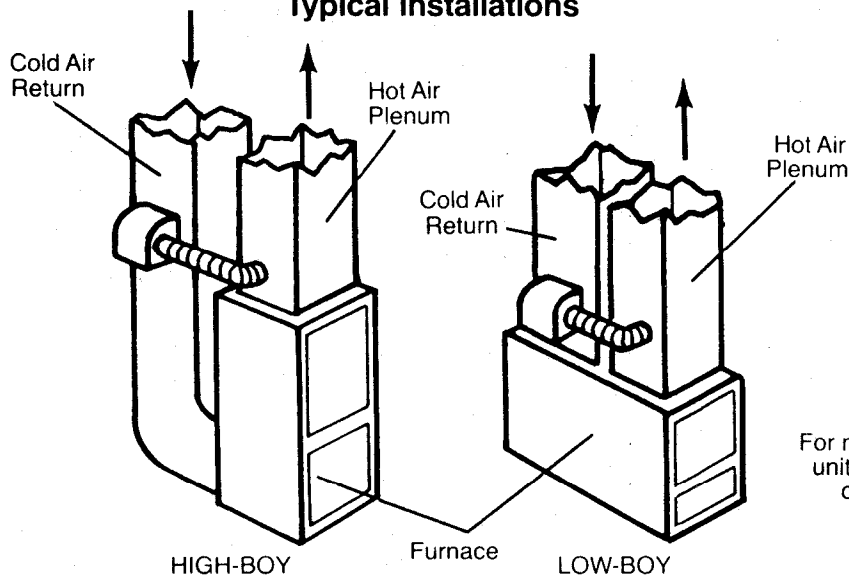
AutoFlo Humidifiers Work. Here's How.

Warm air from the furnace is forced through the power-rotated, constantly saturated, urethane-foam evaporator pad. Moisture-laden air then circulates throughout the home.



With any forced air furnace the AutoFlo Model 97 is all you need.

Typical Installations



Model 97 Service Parts

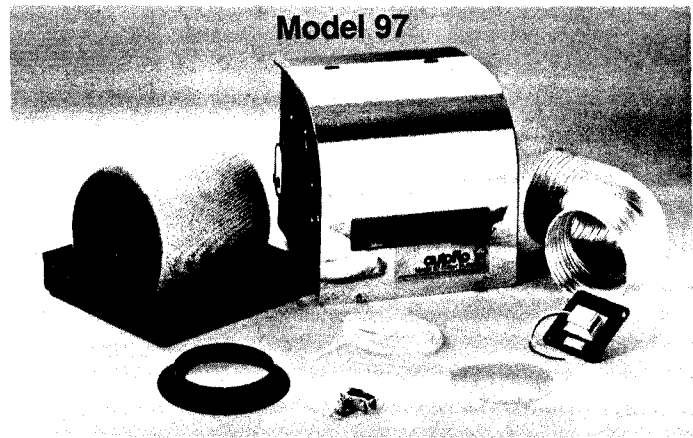
PART NO.	DESCRIPTION
97EP	EVAPORATOR PAD
800111	PAD HOLDER (MEDIA WHEEL)
800018	WATER PAN
900015	MOTOR MOUNTING PLATE ASSEMBLY
900018	COMPLETE FLOAT/ORIFICE ASSEMBLY

For maximum efficiency,
unit must be mounted
on **cold** air side.

Specifications:

Electrical: 24 Volts AC, 60 cycles, 3 watts
60 Hertz
Dimensions: 15½ in. wide, 12½ in. deep
Media: water-retentive polyurethane
Material: high-performance, heat and corrosion-resistant
Weight: 15 lbs.
Capacity: 19.3 gal. per day
Plenum cut-out required: 7½H×8½W

Complete self-piercing water valve
assembly and compression fittings
24V motor and transformer
flexible duct
plenum adaptor shut-off
mounting hardware.



One-Year Limited Warranty

All parts of the AutoFlo® Humidifier are warranted to be free from defects in material and workmanship for a period of ONE (1) year from date of purchase as shown on purchaser's receipt.

AutoFlo will replace **free of charge**, during the normal warranty period any warranted part which proves defective in material and/or workmanship under normal installation, use and service. Replacement parts may be obtained by returning the part, **transportation charges prepaid**, to the Service Center. Any injury to this humidifier as a result of misuse, abuse, neglect, accident, improper installation, or any other use violative of instructions furnished by us, **will void the warranty**.

This warranty is limited to defective replacement parts only. Labor charges and/or damage incurred in installation or replacement, as well as incidental and consequential damages connected therewith, are excluded.

As some states do not allow the exclusion or limitation of incidental or consequential damages, the above limitation or exclusion may not apply to you.

This warranty gives you specific legal rights, and you may also have other rights which vary from state to state. In the event of a problem with warranty service or performance, you may be able to go to a small claims court, a state court, or a federal district court.